

Table of Contents

Hutch/Base Assemblies.....2-3

HUTCH

Shelf4

Display5

Instructor White Board5

Magazine Shelf6

Diagonal Corner6

Installation Accessories7

SLOPE HUTCH

Shelf9

Display10

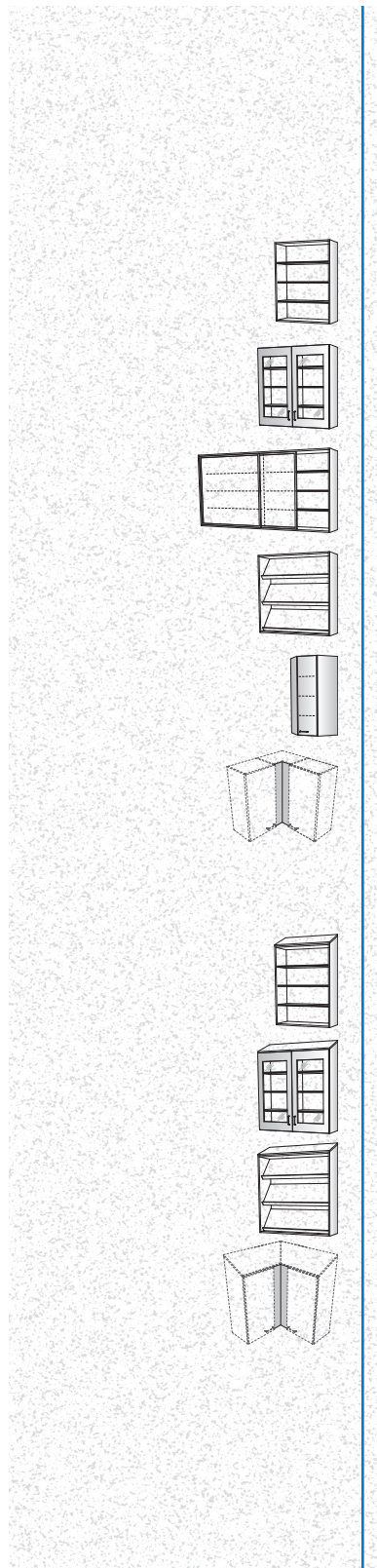
Magazine Shelf10

Installation Accessories11

Slope Top Details.....11

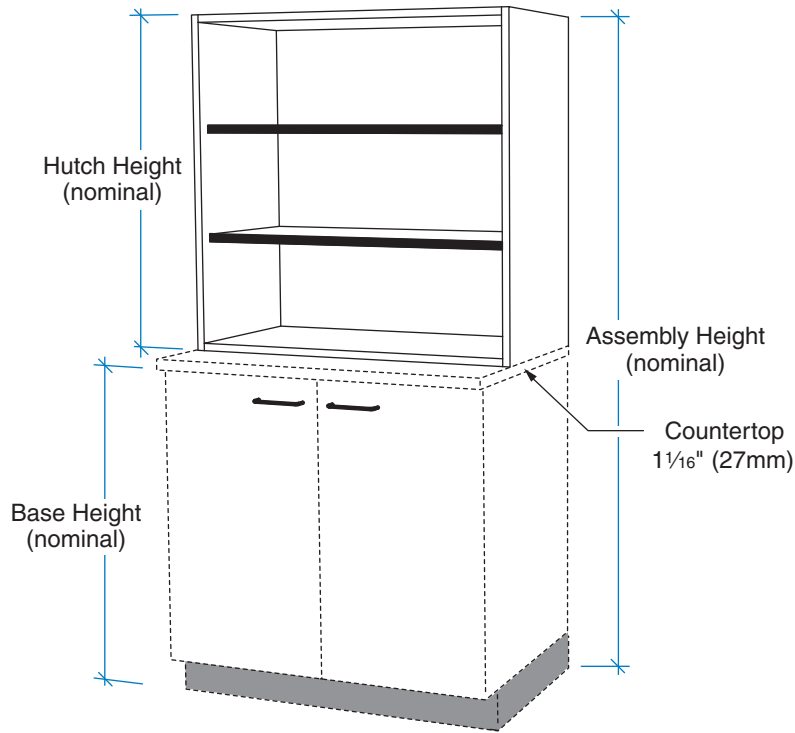
NEW MODELS13-14

Introduces new models added since the last published catalog.



HUTCH

Hutch/Base Assemblies



Hutch design is for stacking on base unit with countertop thickness of 1 1/16" (27mm). Actual hutch heights are provided based on overall total height of elevation with the base and special thickness countertop combination used.

| Assembly Height* (nominal) | Assembly Height* (actual) | | Base Height (nominal) | Hutch Height (nominal) | With 1 1/16" top (27mm) | |
|----------------------------|---------------------------|------|-----------------------|------------------------|-------------------------|------|
| | inches | mm | | | inches | mm |
| 72 | 71 9/16 | 1817 | 35 | 35 | 35 1/2 | 901 |
| 72 | 71 9/16 | 1817 | 32 | 38 | 38 | 965 |
| 72 | 71 9/16 | 1817 | 29 | 42 | 41 3/4 | 1061 |
| 78 | 77 13/16 | 1977 | 41 | 35 | 35 1/2 | 901 |
| 78 | 77 13/16 | 1977 | 35 | 42 | 41 3/4 | 1061 |
| 78 | 77 13/16 | 1977 | 32 | 44 | 44 5/16 | 1125 |
| 78 | 77 13/16 | 1977 | 29 | 48 | 48 1/16 | 1221 |
| 84 | 84 1/8 | 2137 | 41 | 42 | 41 3/4 | 1061 |
| 84 | 84 1/8 | 2137 | 35 | 48 | 48 1/16 | 1221 |
| 84 | 84 1/8 | 2137 | 32 | 51 | 50 9/16 | 1285 |
| 84 | 84 1/8 | 2137 | 29 | 54 | 54 3/8 | 1381 |
| 90 | 90 7/16 | 2297 | 41 | 48 | 48 1/16 | 1221 |
| 90 | 90 7/16 | 2297 | 35 | 54 | 54 3/8 | 1381 |
| 90 | 90 7/16 | 2297 | 32 | 57 | 56 7/8 | 1445 |
| 90 | 90 7/16 | 2297 | 29 | 61 | 60 11/16 | 1541 |

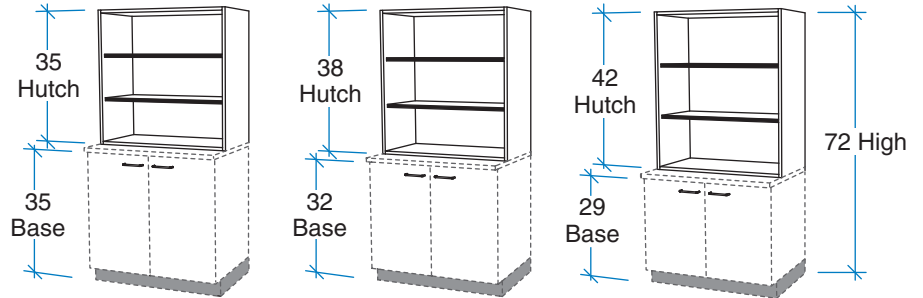
* Assembly heights based on using 1 1/16" (27mm) top.

Hutch/Base Assemblies

Typical hutch combinations are shown as the base and hutch unit nominal heights with a 1¹/₁₆" (27mm) countertop thickness.

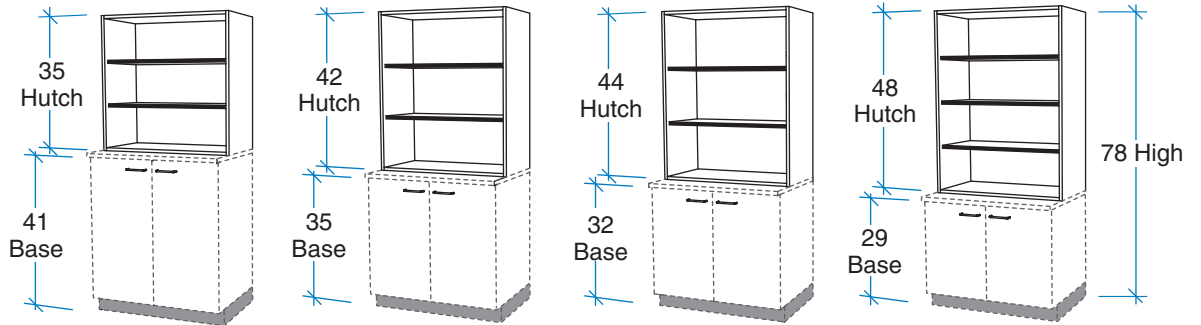
72 HIGH ASSEMBLY

Actual Height
71¹/₁₆" (1817mm)



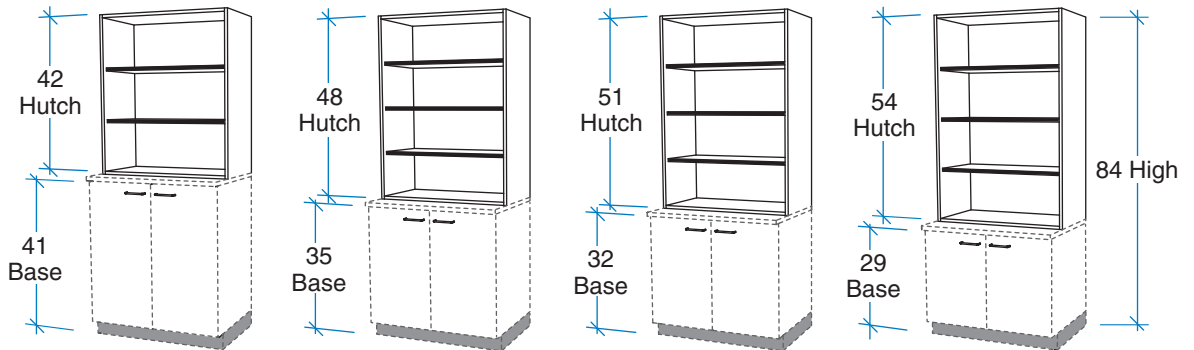
78 HIGH ASSEMBLY

Actual Height
77¹³/₁₆" (1977mm)



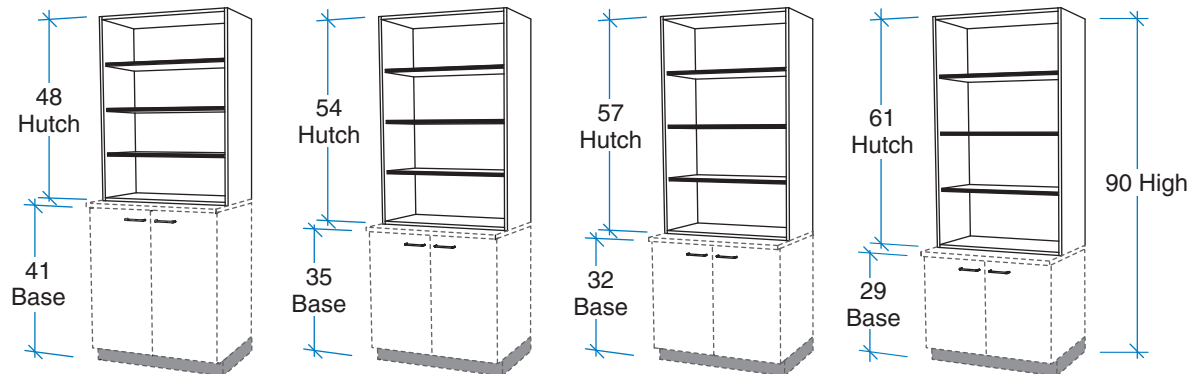
84 HIGH ASSEMBLY

Actual Height
84¹/₈" (2137mm)



90 HIGH ASSEMBLY

Actual Height
90⁷/₁₆" (2297mm)



HUTCH

Shelf

Hutch units are built for stacking on a countertop surface. Actual hutch heights are based on overall total height of elevation with the base and countertop combination used.



| W | H | D |
|----|----|----|
| 12 | 27 | 35 |
| 15 | 30 | 38 |
| 18 | 33 | 42 |
| 21 | 36 | 44 |
| 24 | | 48 |
| | | 51 |
| | | 54 |
| | | 57 |
| | | 61 |

Adjustable Shelves

| W | H | D |
|----|----|----|
| 12 | 35 | 14 |
| 15 | 38 | 18 |
| 18 | 42 | 21 |
| 21 | 44 | 24 |
| 24 | | 48 |
| | | 51 |
| | | 54 |
| | | 57 |
| | | 61 |

Right Hinge Door
Adjustable Shelves

| W | H | D |
|----|----|----|
| 12 | 35 | 14 |
| 15 | 38 | 18 |
| 18 | 42 | 21 |
| 21 | 44 | 24 |
| 24 | | 48 |
| | | 51 |
| | | 54 |
| | | 57 |
| | | 61 |

Left Hinge Door
Adjustable Shelves

| W | H | D |
|----|----|----|
| 24 | 39 | 35 |
| 27 | 42 | 38 |
| 30 | 45 | 42 |
| 33 | 48 | 44 |
| 36 | | 48 |
| | | 51 |
| | | 54 |
| | | 57 |
| | | 61 |

Doors
Adjustable Shelves

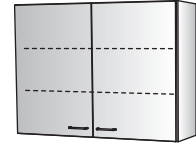
22101

22120

22121

22129

35H
38H
42H
44H



48H
51H
54H
57H
61H



| W | H | D |
|----|----|----|
| 39 | 35 | 51 |
| 42 | 38 | 54 |
| 45 | 42 | 57 |
| 48 | 44 | 61 |
| | | 48 |

Center Divider
Adjustable Shelves

| W | H | D |
|----|----|----|
| 39 | 35 | 51 |
| 42 | 38 | 54 |
| 45 | 42 | 57 |
| 48 | 44 | 61 |
| | | 48 |

Doors
Center Divider
Adjustable Shelves

| W | H | D |
|----|----|----|
| 36 | 35 | 51 |
| 39 | 38 | 54 |
| 42 | 42 | 57 |
| 45 | 44 | 61 |
| 48 | | 48 |

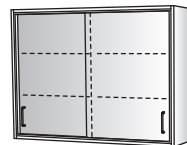
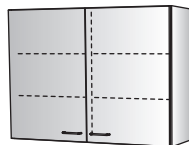
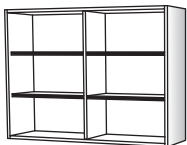
Sliding Doors
Center Divider
Adjustable Shelves

22138

22181

22150

35H
38H
42H
44H




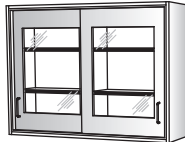
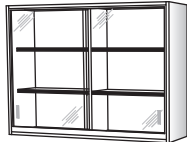







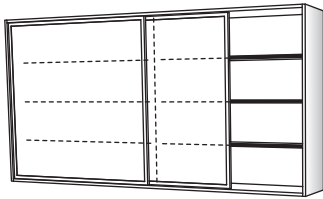
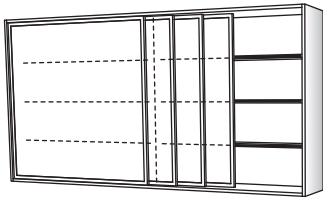
48H
51H
54H
57H
61H



Display/Instructor White Board

Hutch units are built for stacking on a countertop surface. Actual hutch heights are based on overall total height of elevation with the base and countertop combination used.

| Display | | | | | | | | | | | | | | | | | | | | |
|--|----|----|----|--|----|----|----|--|----|----|----|---|----|----|----|--|----|----|----|-----|
| W | H | D | W | H | D | W | H | D | W | H | D | W | H | D | | | | | | |
| 15 | 35 | 51 | 14 | 15 | 35 | 51 | 14 | 30 | 35 | 51 | 14 | 30 | 35 | 51 | 14 | 30 | 35 | 51 | 14 | |
| 18 | 38 | 54 | 18 | 18 | 38 | 54 | 18 | 36 | 38 | 54 | 18 | 36 | 38 | 54 | 18 | 36 | 38 | 54 | 18 | |
| 21 | 42 | 57 | 21 | 21 | 42 | 57 | 21 | 42 | 42 | 57 | 21 | 42 | 42 | 57 | 21 | 42 | 42 | 57 | 21 | |
| 24 | 44 | 61 | 24 | 24 | 44 | 61 | 24 | 48 | 44 | 61 | 24 | 48 | 44 | 61 | 24 | 48 | 44 | 61 | 24 | |
| | 48 | | | | 48 | | | | 48 | | | | 48 | | | | 48 | | | |
| Right Hinge Display Door Adjustable Shelves | | | | Left Hinge Display Door Adjustable Shelves | | | | Display Doors Center Divider Adjustable Shelves | | | | Sliding Display Doors Center Divider Adjustable Shelves | | | | Sliding Glass Doors Center Divider Adjustable Shelves | | | | |
| 22130 | | | | 22131 | | | | 22182 | | | | 22154 | | | | 22158 | | | | |
|  | | | |  | | | |  | | | |  | | | |  | | | | 35H |
|  | | | |  | | | |  | | | |  | | | |  | | | | 38H |
| | | | | | | | | | | | | | | | | | | | | 42H |
| | | | | | | | | | | | | | | | | | | | | 44H |
| | | | | | | | | | | | | | | | | | | | | 48H |
| | | | | | | | | | | | | | | | | | | | | 51H |
| | | | | | | | | | | | | | | | | | | | | 54H |
| | | | | | | | | | | | | | | | | | | | | 57H |
| | | | | | | | | | | | | | | | | | | | | 61H |

| Instructor White Board | | | | | | | | | | | | |
|--|----|----|----|----|----|---|--|--|--|--|--|-----|
| W | H | D | W | H | D | | | | | | | |
| 72 | 48 | 14 | 96 | 48 | 14 | | | | | | | |
| 96 | 18 | | | 18 | | | | | | | | |
| | 21 | | | 21 | | | | | | | | |
| | 24 | | | 24 | | | | | | | | |
| 2 Sliding White Boards 2 Tracks Center Divider Adjustable Shelves | | | | | | 4 Sliding White Boards 4 Tracks Center Divider Adjustable Shelves | | | | | | |
| 22300 | | | | | | 22302 | | | | | | |
|  | | | | | |  | | | | | | 48H |

HUTCH

Magazine Shelf/Diagonal Corner

Hutch units are built for stacking on a countertop surface. Actual hutch heights are based on overall total height of elevation with the base and countertop combination used.



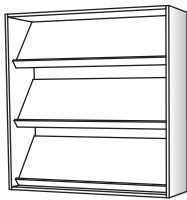
Magazine Shelf

| W | H | D |
|----|----|----|
| 24 | 48 | 14 |
| 27 | 51 | 18 |
| 30 | 54 | 21 |
| 33 | 57 | 24 |
| 36 | 61 | |
| 39 | | |
| 42 | | |
| 45 | | |
| 48 | | |

3 Magazine Shelves

22165

48H
51H
54H
57H
61H



Diagonal Corner

| W | H | D |
|----|----|----|
| 25 | 35 | 51 |
| | 38 | 54 |
| | 42 | 57 |
| | 44 | 61 |
| | 48 | |
| 28 | 35 | 51 |
| | 38 | 54 |
| | 42 | 57 |
| | 44 | 61 |
| | 48 | |

Right Hinge Door
Fixed Shelves

22211

35H
38H
42H
44H



48H
51H
54H
57H
61H



| W | H | D |
|----|----|----|
| 25 | 35 | 51 |
| | 38 | 54 |
| | 42 | 57 |
| | 44 | 61 |
| | 48 | |
| 28 | 35 | 51 |
| | 38 | 54 |
| | 42 | 57 |
| | 44 | 61 |
| | 48 | |



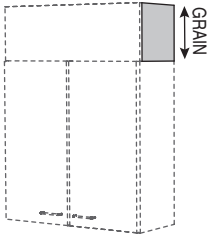
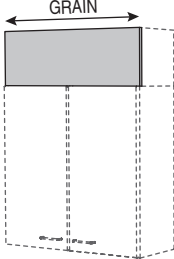
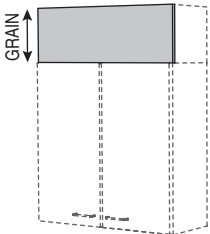
Left Hinge Door
Fixed Shelves

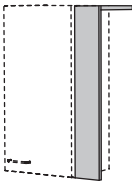
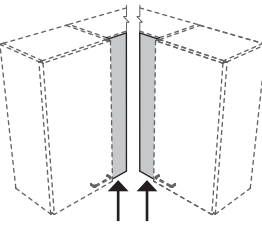
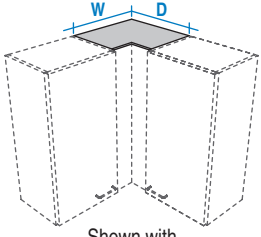
22212



Installation Accessories

Hutch units are built for stacking on a countertop surface. Actual hutch heights are based on overall total height of elevation with the base and countertop combination used.

| Soffit Trim | | | | Vertical Scribe | | | End Soffit Closure | | | Horizontal Grain Soffit Fascia | | | Vertical Grain Soffit Fascia | | | | |
|---|----|----|----|---|----|----|---|----|----|---|----|----|---|----|----|----|----|
| Soffit trim and vertical scribe are 3/4" wide and 3" deep. Front edgebanding matches adjacent cabinet edge. | W | H | D | W | H | D | W | H | D | W | H | D | W | H | D | | |
| | 96 | 00 | 03 | 00 | 35 | 51 | 14 | 00 | 12 | 14 | 36 | 12 | 00 | 12 | 33 | 12 | 00 |
| | | | | | 38 | 54 | 18 | | 18 | 18 | 48 | 18 | | 15 | 36 | 18 | |
| | | | | | 42 | 57 | 21 | | 24 | 21 | 60 | 24 | | 18 | 39 | 24 | |
| | | | | | 44 | 61 | 24 | | 24 | 24 | 72 | | | 21 | 42 | | |
| | | | | 48 | | | | | | 84 | | | 24 | 45 | | | |
| | | | | | | | | | | 96 | | | 27 | 48 | | | |
| | | | | | | | | | | | | | 30 | | | | |
| Field Trim to Fit | | | | Field Trim to Fit | | | Field Trim to Fit | | | Field Trim to Fit | | | Field Trim to Fit | | | | |
| 15801 | | | | 15802 | | | 15820 | | | 15822 | | | 15823 | | | | |
|  | | | |  | | |  | | |  | | |  | | | | |
| | | | | Shown with 15822/15823 Soffit Fascia | | | Shown with 15820 End Soffit Closure | | | Shown with 15820 End Soffit Closure | | | Shown with 15820 End Soffit Closure | | | | |

| Front Filler | | | | Corner Filler | | | Top Corner Closure | | | | |
|---|----|----|----|---|----|----|---|----|----|----|--|
| W | H | D | | W | H | D | | W | H | D | |
| 02 | 35 | 51 | 14 | 02 | 35 | 51 | 14 | 14 | 00 | 14 | |
| 03 | 38 | 54 | 18 | 03 | 38 | 54 | 18 | 16 | | 16 | |
| 06 | 42 | 57 | 21 | 06 | 42 | 57 | 21 | 18 | | 18 | |
| 09 | 44 | 61 | 24 | 09 | 44 | 61 | 24 | 20 | | 20 | |
| 12 | 48 | | | 12 | 48 | | | 21 | | 21 | |
| | | | | | | | | 23 | | 23 | |
| | | | | | | | | 24 | | 24 | |
| | | | | | | | | 26 | | 26 | |
| Includes Top Closure Panel Field Trim to Fit | | | | Depths (D) listed are depths of cabinets to which filler is attached Field Trim to Fit | | | Field Trim to Fit | | | | |
| 22803 | | | | 22805 | | | 22809 | | | | |
|  | | | |  | | |  | | | | |
| | | | | Shown with 22809 Top Corner Closure | | | Shown with 22805 Corner Filler | | | | |



Slope top units require 16816 slope top cover panel for field installation.

| W | H | D |
|----|----|----|
| 12 | 27 | 35 |
| 15 | 30 | 38 |
| 18 | 33 | 42 |
| 21 | 36 | 44 |
| 24 | 48 | |
| | 51 | |
| | 54 | |

Adjustable Shelves

23101



| W | H | D |
|----|----|----|
| 12 | 35 | 14 |
| 15 | 38 | 18 |
| 18 | 42 | 21 |
| 21 | 44 | 24 |
| 24 | 48 | |
| | 51 | |
| | 54 | |

Right Hinge Door
Adjustable Shelves

23120



| W | H | D |
|----|----|----|
| 12 | 35 | 14 |
| 15 | 38 | 18 |
| 18 | 42 | 21 |
| 21 | 44 | 24 |
| 24 | 48 | |
| | 51 | |
| | 54 | |

Left Hinge Door
Adjustable Shelves

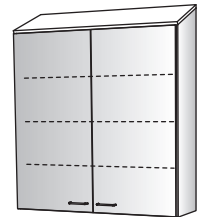
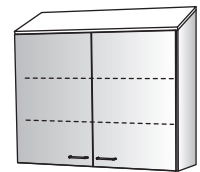
23121



| W | H | D |
|----|----|----|
| 24 | 39 | 35 |
| 27 | 42 | 38 |
| 30 | 45 | 42 |
| 33 | 48 | 44 |
| 36 | 48 | |
| | 51 | |
| | 54 | |

Doors
Adjustable Shelves

23129



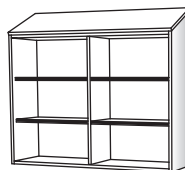
35H
38H
42H
44H

48H
51H
54H

| W | H | D |
|----|----|----|
| 39 | 35 | 14 |
| 42 | 38 | 18 |
| 45 | 42 | 21 |
| 48 | 44 | 24 |
| | 48 | |
| | 51 | |
| | 54 | |

Center Divider
Adjustable Shelves

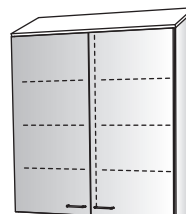
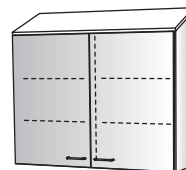
23138



| W | H | D |
|----|----|----|
| 39 | 35 | 14 |
| 42 | 38 | 18 |
| 45 | 42 | 21 |
| 48 | 44 | 24 |
| | 48 | |
| | 51 | |
| | 54 | |

Doors
Center Divider
Adjustable Shelves

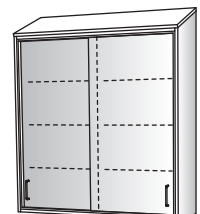
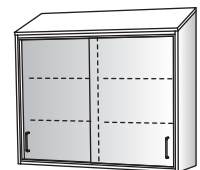
23181



| W | H | D |
|----|----|----|
| 36 | 35 | 14 |
| 39 | 38 | 18 |
| 42 | 42 | 21 |
| 45 | 44 | 24 |
| 48 | 48 | |
| | 51 | |
| | 54 | |

Sliding Doors
Center Divider
Adjustable Shelves

23150



35H
38H
42H
44H

48H
51H
54H

SLOPE HUTCH

Display/Magazine Shelf

Slope top units require 16816 slope top cover panel for field installation.



| | | | | | | | | | | | | Display | | | | | | | |
|---|----|----|----|--|----|----|----|---|----|----|----|---|----|----|----|---|----|----|----|
| W | H | D | | W | H | D | | W | H | D | | W | H | D | | W | H | D | |
| 15 | 35 | 48 | 14 | 15 | 35 | 48 | 14 | 30 | 35 | 48 | 14 | 30 | 35 | 48 | 14 | 30 | 35 | 48 | 14 |
| 18 | 38 | 51 | 18 | 18 | 38 | 51 | 18 | 36 | 38 | 51 | 18 | 36 | 38 | 51 | 18 | 36 | 38 | 51 | 18 |
| 21 | 42 | 54 | 21 | 21 | 42 | 54 | 21 | 42 | 42 | 54 | 21 | 42 | 42 | 54 | 21 | 42 | 42 | 54 | 21 |
| 24 | 44 | | 24 | 24 | 44 | | 24 | 48 | 44 | | 24 | 48 | 44 | | 24 | 48 | 44 | | 24 |
| Right Hinge Display Door Adjustable Shelves | | | | Left Hinge Display Door Adjustable Shelves | | | | Display Doors Center Divider Adjustable Shelves | | | | Sliding Display Doors Center Divider Adjustable Shelves | | | | Sliding Glass Doors Center Divider Adjustable Shelves | | | |
| 23130 | | | | 23131 | | | | 23182 | | | | 23154 | | | | 23158 | | | |
| 35H 38H 42H 44H | | | | | | | | | | | | | | | | | | | |
| 48H 51H 54H | | | | | | | | | | | | | | | | | | | |

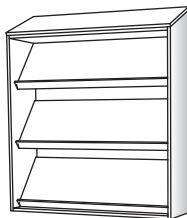
Magazine Shelf

| W | H | D |
|----|----|----|
| 24 | 48 | 14 |
| 27 | 51 | 18 |
| 30 | 54 | 21 |
| 33 | | 24 |
| 36 | | |
| 39 | | |
| 42 | | |
| 45 | | |
| 48 | | |

3 Magazine Shelves


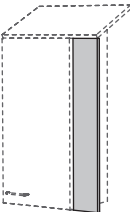
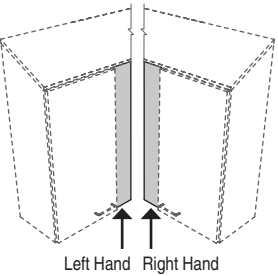
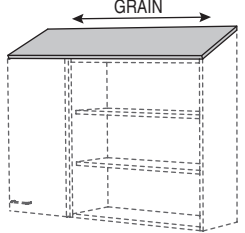
23165

48H
51H
54H



Installation Accessories

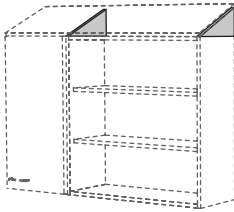
Slope top units require 16816 slope top cover panel for field installation.

| Vertical Scribe | | | | Front Filler | | | Corner Filler | | | Slope Top Cover Panel | | |
|--|----|----|----|---|----|----|---|----|----|---|----|----|
| Vertical scribe is 3/4" wide and 3" deep. Front edgebanding matches adjacent cabinet edge. | W | H | D | W | H | D | W | H | D | W | H | D |
| | 00 | 35 | 14 | 02 | 35 | 14 | 02 | 35 | 14 | 36 | 00 | 14 |
| | | 38 | 18 | 03 | 38 | 18 | 03 | 38 | 18 | 48 | | 18 |
| | | 42 | 21 | 06 | 42 | 21 | 06 | 42 | 21 | 60 | | 21 |
| | | 44 | 24 | 09 | 44 | 24 | 09 | 44 | 24 | 72 | | 24 |
| | | 48 | | 12 | 48 | | 12 | 48 | | 84 | | |
| | | 51 | | | 51 | | | 51 | | 96 | | |
| | 54 | | | 54 | | | 54 | | | | | |
| Field Trim to Fit | | | | Field Trim to Fit | | | Depths (D) listed are depths of cabinets to which filler is attached Field Trim to Fit | | | Shipped in Lengths for Field Trimming Order by Cabinet Depth | | |
| 15802 | | | | 23803 | | | 23805 | | | 16816 | | |
|  | | | |  | | |  | | |  | | |

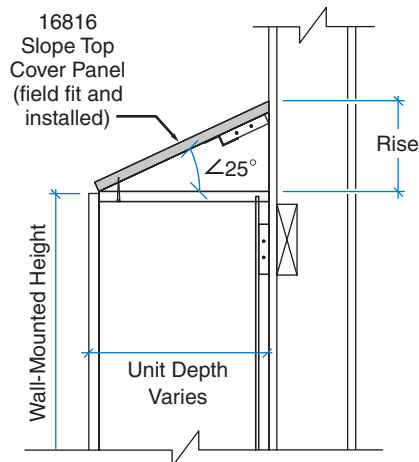
Custom Slope Top End Wedge

Field Cut to Desired Size
Provide Height of Rise Desired

16817



Stevens Advantage slope top units are designed with integral slope ends, eliminating the need for on-the-job fabrication of slope structures. Overlay slope cover panels are shipped with length and end edging for final fit and sizing as installation field conditions may require. Stevens Advantage slope design incorporates a full 3/4" thick slope top on a 25° constant rising slope. Slope top options are available on nominal cabinet depths of 14", 18", 21", and 24". Slope tops not recommended for wall-mounted height above 84", due to possible ceiling interferences. 16816 Slope Top Cover Panels must be specified and ordered separately (not included with cabinet units).



SLOPE TOP DETAILS

| Nominal Unit Depth | Rise | |
|--------------------|--------|-------|
| | inches | mm |
| 14 | 7 | 177.9 |
| 18 | 8 3/4 | 222.6 |
| 21 | 10 3/8 | 262.8 |
| 24 | 11 1/2 | 292.8 |

SLOPE HUTCH



Display

| W | H | D |
|----|----|-------|
| 30 | 35 | 51 14 |
| 36 | 38 | 54 18 |
| 42 | 42 | 57 21 |
| 48 | 44 | 61 24 |
| | 48 | |

Display Doors
Adjustable Shelves

22136



Folder

| W | H | D |
|----|----|-------|
| 21 | 35 | 51 14 |
| 24 | 38 | 54 18 |
| 30 | 42 | 57 21 |
| 36 | 44 | 61 24 |
| | 48 | |

1/4" Folder Shelves, Adjustable and Removable on 1 1/4" Centers
Compartments 2 1/4"H minimum

22241

- 35H:** 26 Compts.
- 38H:** 28 Compts.
- 42H:** 32 Compts.
- 44H:** 34 Compts.
- 48H:** 36 Compts.
- 51H:** 38 Compts.
- 54H:** 42 Compts.
- 57H:** 44 Compts.
- 61H:** 46 Compts.

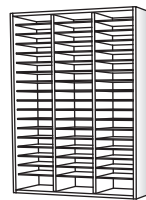


| W | H | D |
|----|----|-------|
| 30 | 35 | 51 14 |
| 36 | 38 | 54 18 |
| 42 | 42 | 57 21 |
| 48 | 44 | 61 24 |
| | 48 | |

1/4" Folder Shelves, Adjustable and Removable on 1 1/4" Centers
Compartments 2 1/4"H minimum

22242

- 35H:** 39 Compts.
- 38H:** 42 Compts.
- 42H:** 48 Compts.
- 44H:** 51 Compts.
- 48H:** 54 Compts.
- 51H:** 57 Compts.
- 54H:** 63 Compts.
- 57H:** 66 Compts.
- 61H:** 69 Compts.

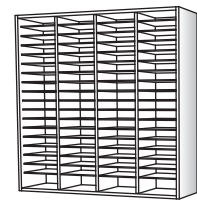


| W | H | D |
|----|----|-------|
| 42 | 35 | 51 14 |
| 48 | 38 | 54 18 |
| | 42 | 57 21 |
| | 44 | 61 24 |
| | 48 | |

1/4" Folder Shelves, Adjustable and Removable on 1 1/4" Centers
Compartments 2 1/4"H minimum

22243

- 35H:** 52 Compts.
- 38H:** 56 Compts.
- 42H:** 64 Compts.
- 44H:** 68 Compts.
- 48H:** 72 Compts.
- 51H:** 76 Compts.
- 54H:** 84 Compts.
- 57H:** 88 Compts.
- 61H:** 92 Compts.



NEW MODELS

Slope Hutch

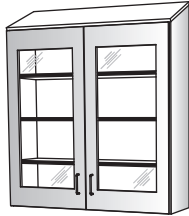


Display

| W | H | D |
|----|----|----|
| 30 | 35 | 48 |
| 36 | 38 | 51 |
| 42 | 42 | 54 |
| 48 | 44 | 24 |

Display Doors
Adjustable Shelves

23136



Folder

| W | H | D |
|----|----|----|
| 21 | 35 | 48 |
| 24 | 38 | 51 |
| 30 | 42 | 54 |
| 36 | 44 | 24 |

1/4" Folder Shelves, Adjustable and Removable on 1 1/4" Centers
Compartments 2 1/4"H minimum

| W | H | D |
|----|----|----|
| 30 | 35 | 48 |
| 36 | 38 | 51 |
| 42 | 42 | 54 |
| 48 | 44 | 24 |

1/4" Folder Shelves, Adjustable and Removable on 1 1/4" Centers
Compartments 2 1/4"H minimum

| W | H | D |
|----|----|----|
| 42 | 35 | 48 |
| 48 | 38 | 51 |
| 42 | 54 | 21 |
| 44 | 24 | |

1/4" Folder Shelves, Adjustable and Removable on 1 1/4" Centers
Compartments 2 1/4"H minimum

23241

- 35H:** 26 Compts.
- 38H:** 28 Compts.
- 42H:** 32 Compts.
- 44H:** 34 Compts.
- 48H:** 36 Compts.
- 51H:** 38 Compts.
- 54H:** 42 Compts.



23242

- 35H:** 39 Compts.
- 38H:** 42 Compts.
- 42H:** 48 Compts.
- 44H:** 51 Compts.
- 48H:** 54 Compts.
- 51H:** 57 Compts.
- 54H:** 63 Compts.



23243

- 35H:** 52 Compts.
- 38H:** 56 Compts.
- 42H:** 64 Compts.
- 44H:** 68 Compts.
- 48H:** 72 Compts.
- 51H:** 76 Compts.
- 54H:** 84 Compts.

